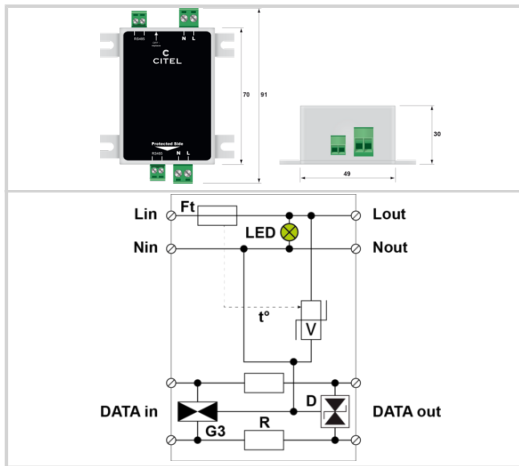


### MLP2-230L-P/RS



Specially developed spd with combined protection for 2-phase power supply (control phase):

- Many variants available depending on application
- With screw terminals or cable wiring
- IP65 versions
- For protection class I or II application
- Developed for  $U_{oc}$ : 10 kV and  $I_{max}$ : 10 kA for highest outdoor requirements according to IEEE & ANSI
- Optical error signalling



Electrical Characteristics		
SPD type		2+3
AC system		TT-TN
Nominal line voltage	$U_n$	230-277 Vac
Max. AC operating voltage	$U_c$	305 Vac
Max. frequency	$f_{max}$	10 MHz
Max. load current	IL	2.5 A
Temporary Over Voltage (TOV) Characteristics - 5 sec. Without disconnection	UT	335 Vac withstand
Temporary Over Voltage (TOV) Characteristics - 120 mn Without disconnection or with safety disconnection	UT	440 Vac disconnection
Residual Current Leakage current to Ground	$I_{pe}$	None
Follow current	$I_f$	None
Nominal discharge current 15 x 8/20 $\mu$ s impulses	$I_n$	5 kA
Max. discharge current max. withstand @ 8/20 $\mu$ s by pole	$I_{max}$	10 kA
Total Maximum discharge current max. total withstand @ 8/20 $\mu$ s	$I_{max}$ Total	20 kA
Withstand on Combination waveform IEC 61643-11 Class III test: 1.2/50 $\mu$ s - 8/20 $\mu$ s	$U_{oc}$	10 kV / 5 kA
Withstand on overvoltages IEEE C62.41.1		10 kV / 10 kA
Protection mode(s)		Common/Differential mode
Protection level L/N @ In (8/20 $\mu$ s)	Up L/N	1.5 kV
Protection level L/PE @ In (8/20 $\mu$ s)	Up L/PE	1.5 kV
Admissible short-circuit current	$I_{sc}$	10000 A
Mechanical Characteristics		
Mounting		Wall or plate
Housing material		Thermoplastic UL94 V-0
Operating temperature	$T_u$	-40/+85°C
Dimensions		See diagram
Disconnectors		
Thermal disconnecter		Internal
Installation ground fault breaker		Type 'S' or delayed
Standards		
Standards compliance		IEC 61643-11 / EN 61643-11 / UL1449 ed.5
Part number		721252