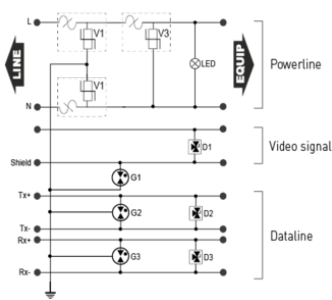
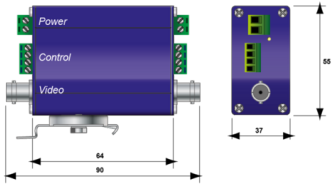


# MSP-VM230-2P



G: Gas discharge tube  
 V: Varistor  
 D: Clamping diode network  
 LED: Indicator

Electrical Characteristics	
Network	230 V single-phase
AC system	TT-TN
Max. DC operating voltage	Uc 255 Vdc
Max. frequency	f max. 16 MHz
Insertion loss	< 0.1 dB
Max. load current	IL 5 A
Nominal discharge current 15 x 8/20 µs impulses	In 5 kA
Max. discharge current max. withstand @ 8/20 µs by pole	Imax 10 kA
Withstand on Combination waveform IEC 61643-11 Class III test: 1.2/50µs - 8/20µs	Uoc 10 kV / 5 kA
Protection mode(s)	Common/Differential mode
Protection level @ In (8/20µs)	Up 1.2 kV
Protection level Following the test category C3 (IEC61643-21) - Line/Line	Up 20 V
ELEC	
Network	Signal video
ELEC	
Max. DC operating voltage	Uc 6 Vdc
ELEC	
Max. frequency	f max. 100 Mhz
ELEC	
Insertion loss	< 1dB
ELEC	
Max. load current	IL 300 mA
ELEC	
Nominal discharge current 15 x 8/20 µs impulses	In 5 kA
ELEC	
Max. discharge current max. withstand @ 8/20 µs by pole	Imax 10 kA
ELEC	
Protection level @ In (8/20µs)	Up 20 V
ELEC	
Network	2 pairs signal 0-5 V
ELEC	
Max. DC operating voltage	Uc 8 Vdc
ELEC	
Max. frequency	f max. 16 Mhz
ELEC	
Insertion loss	< 1dB
ELEC	
Max. load current	IL 300 mA
ELEC	
Nominal discharge current 15 x 8/20 µs impulses	In 2.5 kA
ELEC	
Max. discharge current max. withstand @ 8/20 µs by pole	Imax 5 kA
ELEC	
Protection level @ In (8/20µs)	Up 20 V
Mechanical Characteristics	
Technology	MOV+GDT
Connection to Network	By screw terminals: 2.5mm² max.
Format	DIN rail or flange
Mounting	DIN rail or plate (flange)
Housing material	Anodized aluminum
Operating temperature	Tu -40/+85°C
Protection rating	IP20
Failsafe mode	Green LED OFF and line cut-off
Disconnection indicator	LED green OFF and AC network cut-off
Dimensions	See diagram
Weight	0.176 kg
Standards	

---

## MSP-VM230-2P

Standards compliance	IEC 61643-21 / EN 61643-21 / UL1449 ed.5
Part number	420431