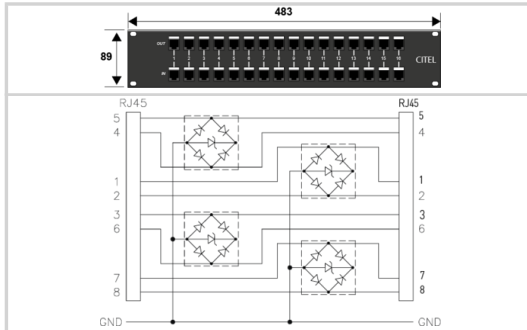


RAK16-E-C6



- 19" patch panel surge protector for CAT6
- 16 ports
- In/Out front : RJ45
- Maintenance possible per port
- Secondary protection
- UL497B



Electrical Characteristics		
Network		100/1000/10G BaseT, RS422, RS485, RS423, Ethernet
Nominal line voltage	Un	5 Vdc
Max. DC operating voltage	Uc	7.5 Vdc
Max. frequency	f max.	250 MHz
Max. data rate		10 Gbps
Insertion loss		< 1 dB
Max. load current	IL	750 mA
Protection level Following the test category C3 (IEC61643-21) - Line/Line	Up	20 V
Max. capacitance	C	< 8 pF
Discharge current at 10/1000µs impulse current		100 A
Line/Line Nominal discharge current C2 Category	In L/L	500 A
Line/Ground Nominal discharge current 8 /20µs Test x 10 - C2 Category	In L/PE	500 A
Mechanical Characteristics		
Technology		Diode écrêtage
SPD configuration		16 ports of 8 wires
Connection to Network		RJ45 Female input/output
Format		Rack 19"
Mounting		Baie 19"
Housing material		Aluminium
Operating temperature	Tu	-40/+85°C
Protection rating		IP20
Outdoor application		No
Failsafe mode		Short-circuit
Disconnection indicator		Transmission interrupt
Spare module(s)		1-port removable circuit
Remote signaling of disconnection		No
Pinout		(1-2)(3-6)(4-5)(7-8)
Dimensions		See diagram
Standards		
Standards compliance		IEC 61643-21 / EN 61643-21 / UL497B / IEEE 802-3an
Part number		
6254		